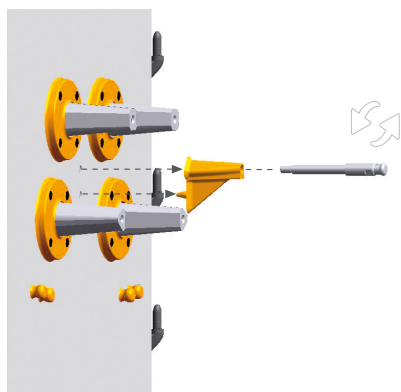
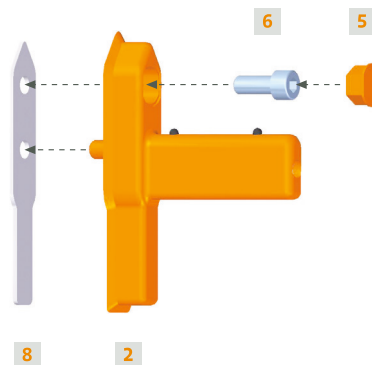


**KIT COMPOSITION**

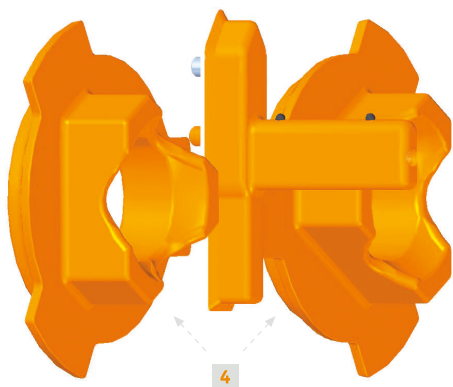
- 1** DCS Mobile blade
- 2** Mobile blade base
- 3** Triangular guide
- 4** Cam disk
- 5** Mobile blade base cap
- 6** Stainless steel DIN 912 screw
- 7** Securing knob
- 8** Blade base joint



Remove the rod of the blade support and the rear blade holder. Clean properly the area.



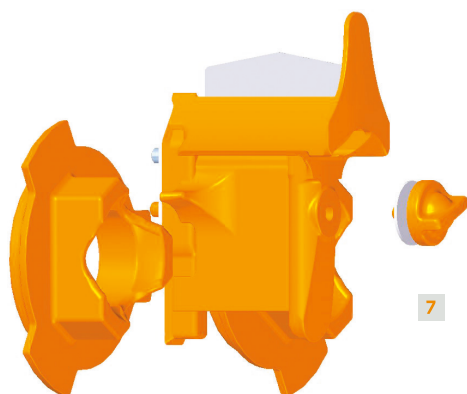
Assemble the pieces as shown in the picture, in the order listed.



Put the cam disks in the lower shafts, keep in mind that they have to fit in the lower pressing units.



For easier assembly, put the blade into the triangular guide.



To end the assembly, after fitting the lower pressing units in the cam disks, mount the blade set and tighten the securing knob.